

How to install aluminum/stainless steel clip straps

INSTRUCTIONS ON HOW TO INSTALL ALUMINUM/STAINLESS STEEL CLIP STRAPS

Tools needed to complete this task:

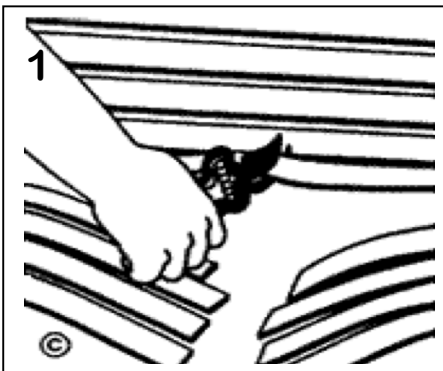
- ✓ Pot of warm water (just under boiling point)
- ✓ Scissors or garden shears
- ✓ Tape measure
- ✓ Vice-grips
- ✓ Gloves

E-CLIP PROCESS: Attach strap to one side of the frame

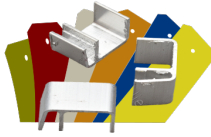


5/8" aluminum E-clips are used for this installation. The E-clips can be purchased on our website. The part number for the E-clips is #30-800 and can be located [here](#).

Step one: Remove old straps

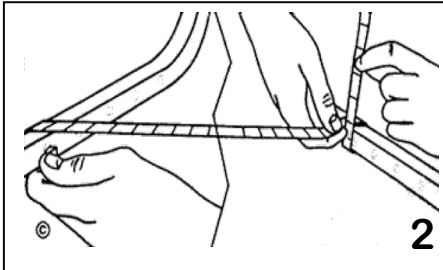


Using scissors (or garden shears) cut off all old straps and fasteners. Clean the piece well. If the furniture is in need of structural repair or painting, this is the time to do it. As shown in (Pic.1)



How to install aluminum/stainless steel clip straps

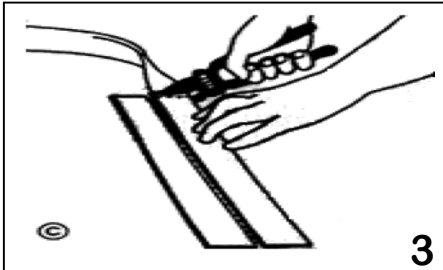
Step two: Measure strap length



Use a tape measure and find the exact measurement from inside top of frame to inside top of frame. As shown in (Pic.2)

Note: If you are buying pre-cut straps, skip down to **Step six**

Step three: Cut one strap

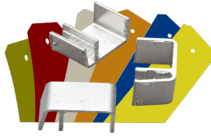


Cut one strap off your roll of vinyl. (Do not cut all the straps at once as you may want to adjust the strap length after seeing how the first strap fits around the frame). As shown in (Pic.3)

Step four: Cut corners

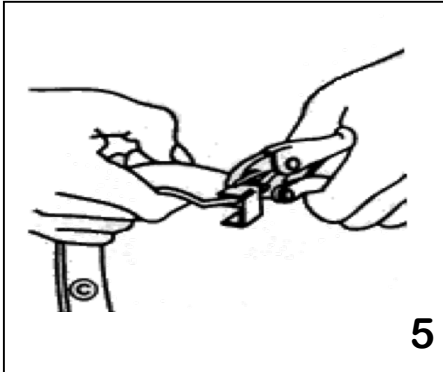


Using the garden shears, trim off the corners on each end of the vinyl straps. As shown in (Pic.4)



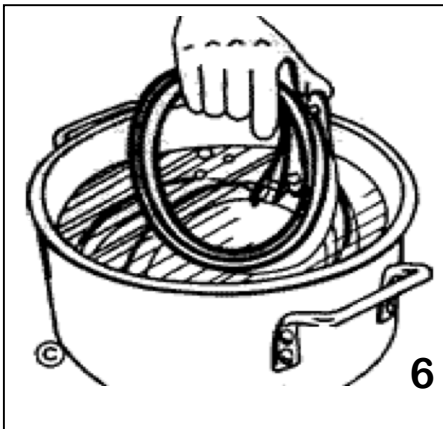
How to install aluminum/stainless steel clip straps

Step five: Insert E-clip



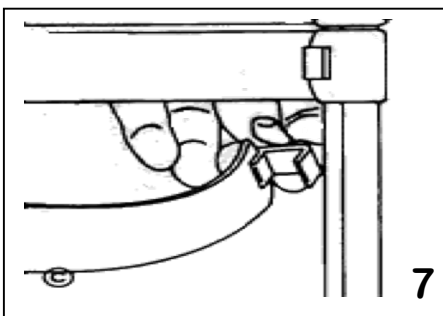
Insert strap end fully into jaws of E-clip. Using vice-grips, apply heavy clamp pressure to secure strap in jaws of E-clip. A good method is to clamp halfway onto clip from one side, then repeat on the other side. Two bites seem to secure strap better than one single effort. As shown in (Pic.5)

Step six: Put straps in warm water

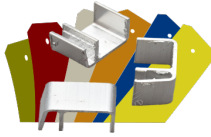


Place straps inside the pot and wait 5 minutes before installing. We recommend wearing gloves to protect your hands and when you are ready to start, use tongs (optional) and take one strap at a time to install. Once you remove the strap from the water, you have to install it right away otherwise, it will cool down and harden. As shown in (Pic.6)

Step seven: Slide E-clip

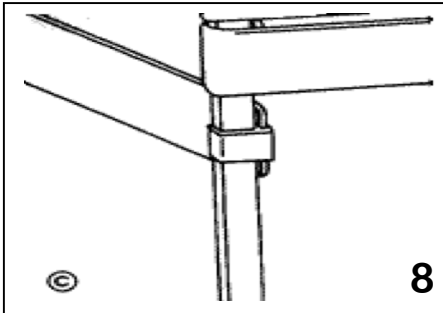


(Back view) Slide E-Clip onto frame from front of piece. As shown in (Pic.7)



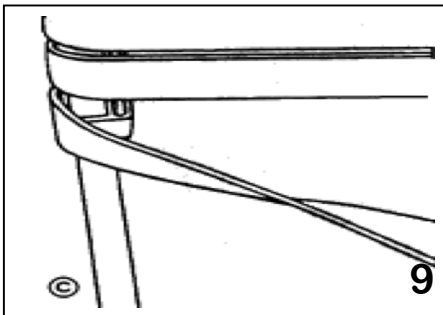
How to install aluminum/stainless steel clip straps

Step eight: View of clip attached to frame



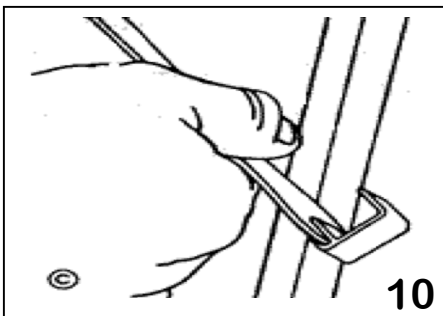
(Front view) Clip attached to frame. As shown in (Pic.8)

Step nine: Wrap strap

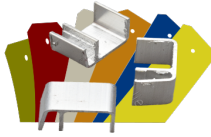


(Front view) Wrap strap tightly around itself covering the clip head as you bring strap around the outside of the frame. As shown in (Pic.9)

Step ten: Stretch strap

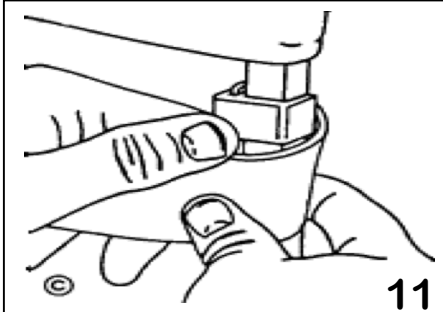


(Front view) Stretch strap firmly across frame at an angle about two or three inches below the straps proper placement on the frame. Stretch until you have pulled about four to five inches past the frame. As shown in (Pic.10)



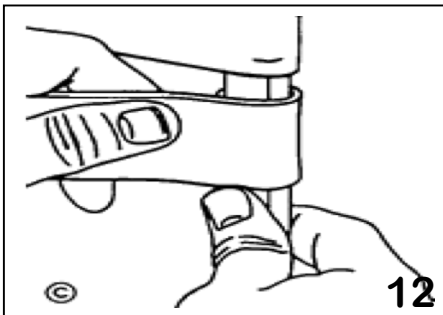
How to install aluminum/stainless steel clip straps

Step eleven: Wrap strap opposite side



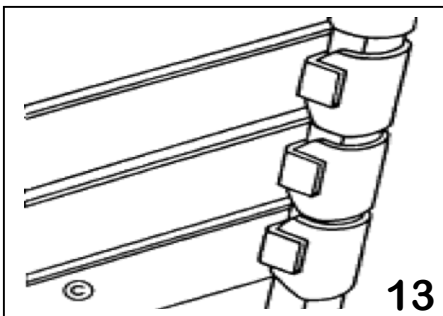
(Front view) Using heavy thumb pressure of one hand hold strap in position and begin wrapping strap around frame with your other hand. Slide clip onto frame. me. As shown in (Pic.11)

Step twelve: Adjust strap



Adjust strap in place to bring top wrap over bottom wrap as shown in (Pic.12)

Step thirteen: View of installed clip



Back view of finished product as shown in (Pic.13)